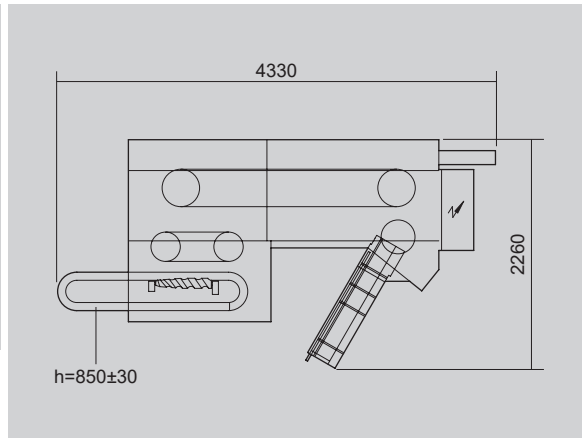
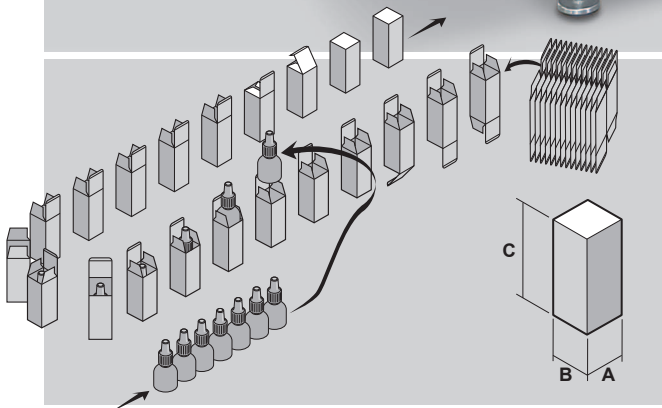
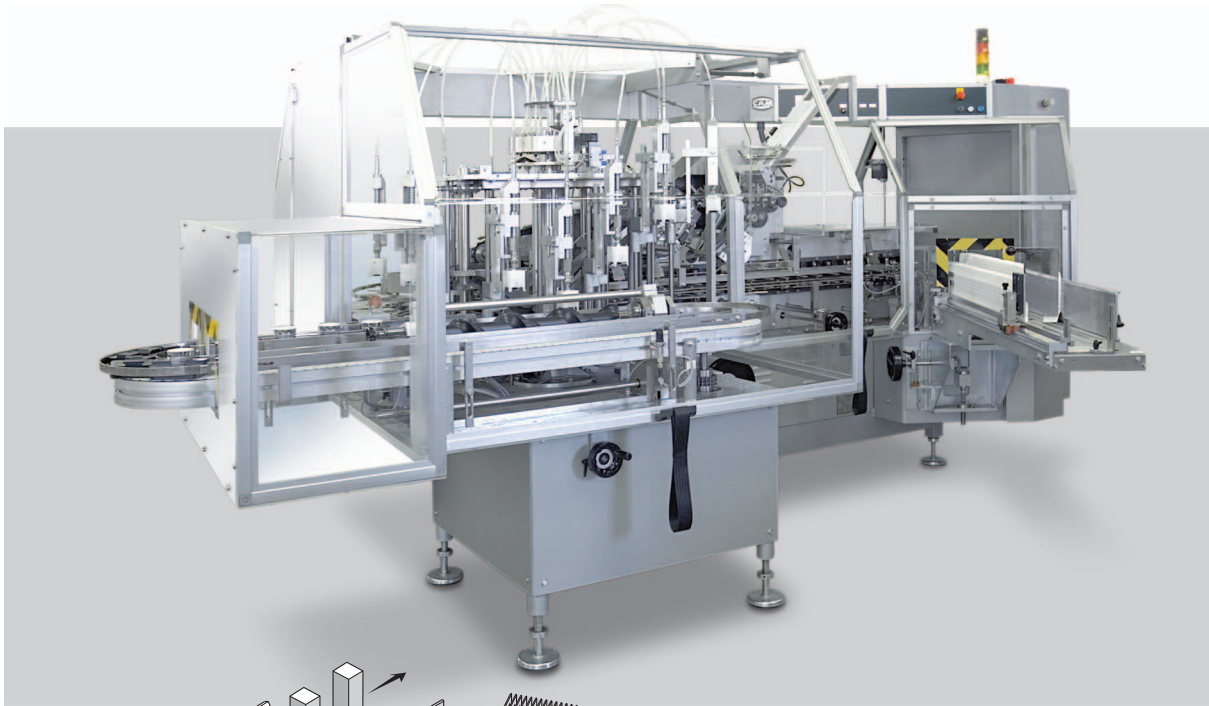


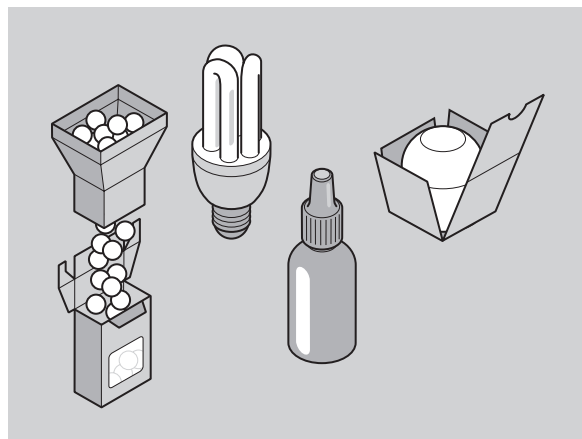
This publication supersedes and replaces any previous edition and revision. All rights reserved. No part of this publication may be reproduced, stored in a retrieval system or transmitted in any form or by any means, electronic, mechanical, photocopying, recording or otherwise, without permission of Tecnicam s.r.l. (Bologna - Italy). The technical data, the images and the diagrams are exclusively indicative and not binding, they might be modified without notice.

AVC

High speed continuous motion vertical cartoner



TECHNICAL DATA		AVC 1	AVC 2
Mechanical speed	STROKES/1'	max. 300	max. 200
Motors	KW	2.75	2.75
Power absorption	KW	3.8 (Hot-melt + 3.9)	3.8 (Hot-melt + 3.9)
Air consumption	NI/1'	16.9	16.9
Air pressure	bar	5+6	5+6
Gross weight	kg	~2400	~2400
Net weight	kg	~2000	~2000
<hr/>			
Size range	AVC 1 min. max.	AVC 2 min. max.	
A	30 65	35	115
B	30 80	30	100
C	55 250	55	250
A + B	- 145	-	190



FM-AVC-03-uk (10/02/2018)